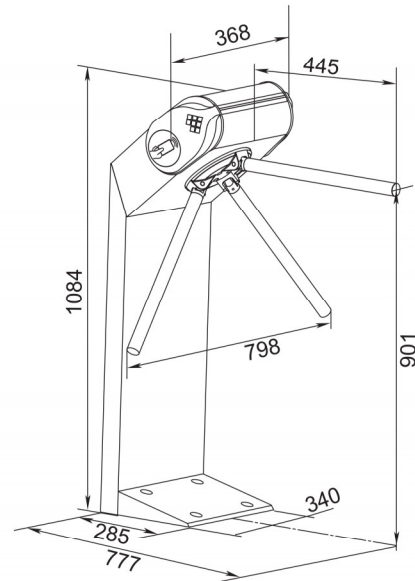
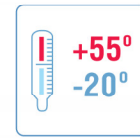


TTR-08A COMPACT TRIPOD TURNSTILE WITH AUTOMATIC ANTI-PANIC



Application

The TTR-08A weatherproof compact tripod turnstile is designed for outdoor use (without shelter). It is fitted with automatic anti-panic folding arms and LED indication. In case of power loss or by a signal from an ACS or emergency button the barrier arm automatically falls down leaving the passage free in emergency situations.

With its modern and elegant design the TTR-08A offers a secure and modern-looking solution for various outdoor and indoor applications.

Delivery set

- turnstile with built-in electronics
- automatic anti-panic folding arms
- remote control panel

Design

The turnstile housing has specially designed places for concealed mounting of proximity card readers.

The reader operating zones are indicated on the lateral covers of the turnstile with special pictograms.

Materials and Finishes

Turnstile housing – stainless steel

Barrier arms – stainless steel



Stainless steel

