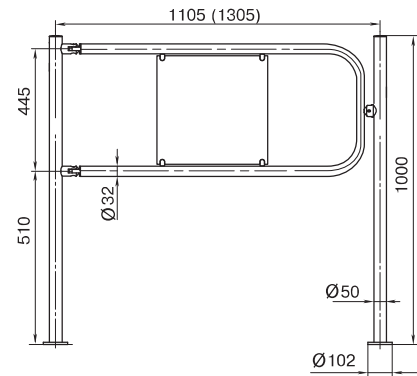
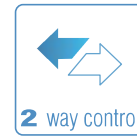
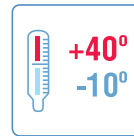


## BH-02 WAIST-HIGH RAILING SECTIONS

WITH AUTOMATIC ANTI-PANIC



electric magnet

Fail-safe operation

### Application

Designed to ensure free passage in an emergency case the hinged section BH-02 automatically opens:

- at a power loss
- by signal from an ACS or emergency button
- manually, if force applied to its swing panel exceeds 40 kg.

Apart from being used as an emergency exit, the BH-02 hinged section with its width of 1200 mm is a perfect solution to arrange passage for disabled people.

### Design

BH-02 can be fitted with a BH-02 series of railings to arrange railing systems of various configurations. Made in the same style they will perfectly fit and will give your entrance way a complete look.

### Materials and Finishes

End posts – stainless steel pipe, D-50 mm.  
Swing panel – stainless steel pipe, D-32 mm.



Stainless steel