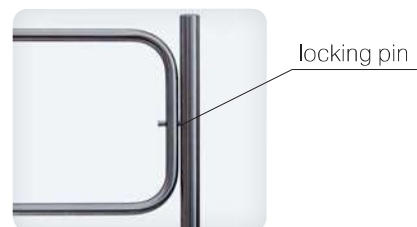
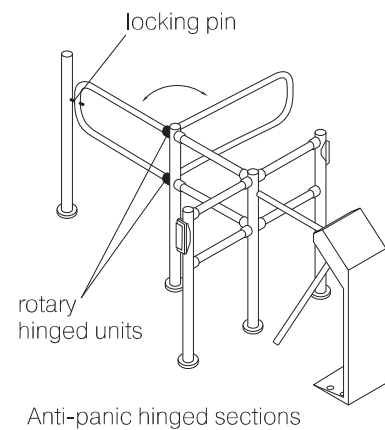
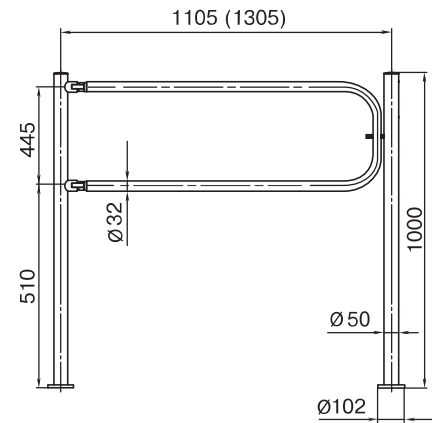


BH-02 WAIST-HIGH RAILING SECTIONS



Application

The BH-02 hinged section of rotary type is designed to provide an unobstructed and fast escape route in emergency cases. Thanks to its design and a passage width of up to 1200 mm the hinged section is suitable for wheelchair access and deliveries of large or bulky items.

Design

At normal operation the BH-02 hinged section is used as a railing section to complete a passage area. When needed, the section can be opened in any direction without use of special tools or keys, by pulling the locking pin.

Materials and Finishes

End posts – stainless steel pipe, D-50 mm.
Swing panel – stainless steel pipe, D-32 mm.



Stainless steel