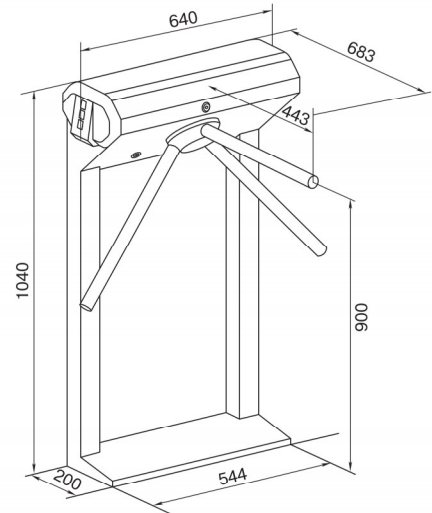




KT-02 IP-STILE



+40° +1°	12 V DC power supply	2 way control
30 persons/min	key override control	Ethernet
2 readers	50 000 holders	135 000 events
EMM/HID	mechanical anti-panic	



Application

The KT-02 IP-Stile system is a turnkey solution to provide effective and secure access control at the rate of 30 persons per min.

Initial installation of the KT-02 IP-Stile is easy and fast: fix the turnstile to the floor with anchor bolts and connect it to a 12V power supply and the Ethernet network.

Delivery set

The standard delivery set includes:

- turnstile with built-in access controller and two proximity card readers
- remote control panel
- standard/anti-panic barrier arms (the type is chosen by a Client at the time of order)
- SL-01 single-user software

For optimum control of pedestrian flow, the KT-02 IP-Stile can be supplied with matching railings.

Materials and Finishes

Turnstile housing – powder coated steel. Sand-paper powder coating with pearl mica effect:



Dark grey

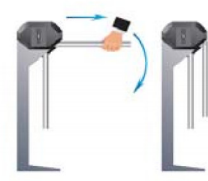
Top cover, barrier arms – stainless steel.



Stainless steel



Card reader, built-in



Mechanical anti-panic