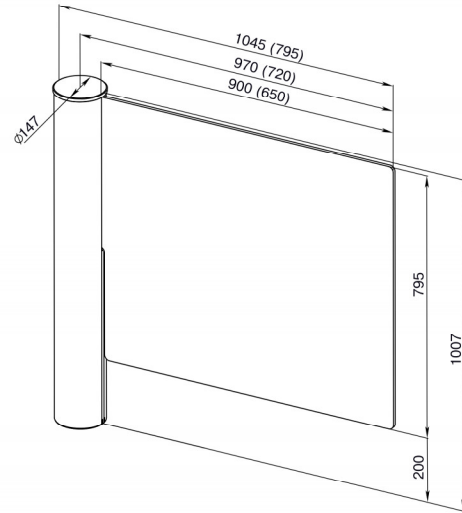
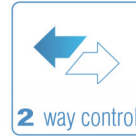
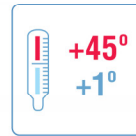


WMD-06 MOTORIZED SWING GATE



Application

The WMD-06 motorized swing gate with glass panel for indoor use is an up-market model that offers an elegant solution for entrance points of banks, administrative buildings, business centres and other sites with the highest requirements for design and comfort.

The WMD-06 features a tempered glass swing panel available in two versions: a standard panel (650 mm) or an extended panel (900 mm) for convenient wheel-chair access. In emergency situations the gate with the extended swing panel can be used as an additional emergency exit.

Delivery set

- gate post with built-in electronics
- tempered glass swing panel 650/900 mm
- remote control panel

Design

Fail-safe operation provides gate unlocking in case of fire alarm or if the electricity is down.

The WMD-06 gates can be installed in pairs facing each other. In this case the 2 gates will be able to provide well-synchronized operation being controlled by one control signal.

The transparent glass panel is fitted with the matt tape along the top edge that helps to prevent people from bumping into the glass.

Materials and Finishes

Gate post – stainless steel

Swing panel – 10 mm tempered glass



stainless steel