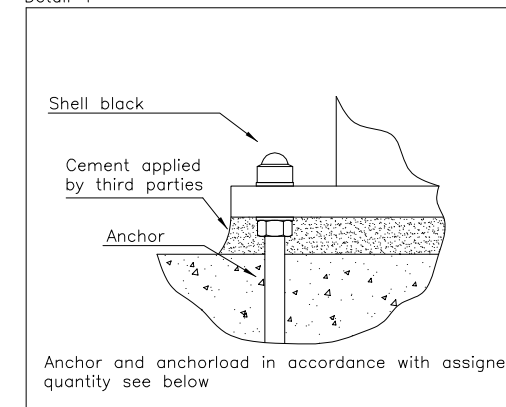
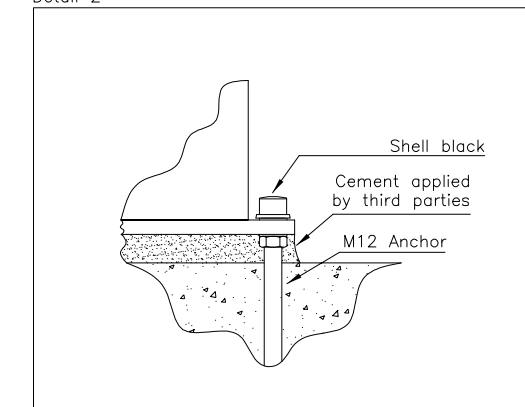


Detail 1



Detail 2



Comments:

Options: *

- Free ride out using detection loop
- Detection loop installed by:
 - Contractor
- Web Based Access
- Handheld transmitters
 - 1 Channel , amount:.....
 - 2 Channel , amount:.....
- Fire alarm (NC):
 - Gate open
 - Gate closed
- Hand/Auto switch
- Half open position
 - Acoustisch & optical signal
- Timer function
- Flashing traffic light during gate movement
- Trafficlight off in closed position

Reports: **

- Report "Open"
- Report "Closed"
- Report "System failure"
- Else.....

* Depending on the number of options an extension board is required
 ** These options require a extension board

Options

- LED Trafficlight(s) (1)
 - None
 - Left column Type?: Surface mounted/Build in
- Photocell pole (2) Required for safety when mate H < 500mm
 - None
 - Left (2)

Safety loop (3&4)

- None
- Rectangular loop (3) Subsoil? : Concrete/Soil/Asphalt
- Trapezium loop (4) Subsoil? : Concrete/Soil/Asphalt

3rd Photocel (for trucks) (6)

- Yes
- No

Other

Trafficlight pole

- Yes Foundation?: Yes/No
- No Foundation?: Yes/No

Conservation

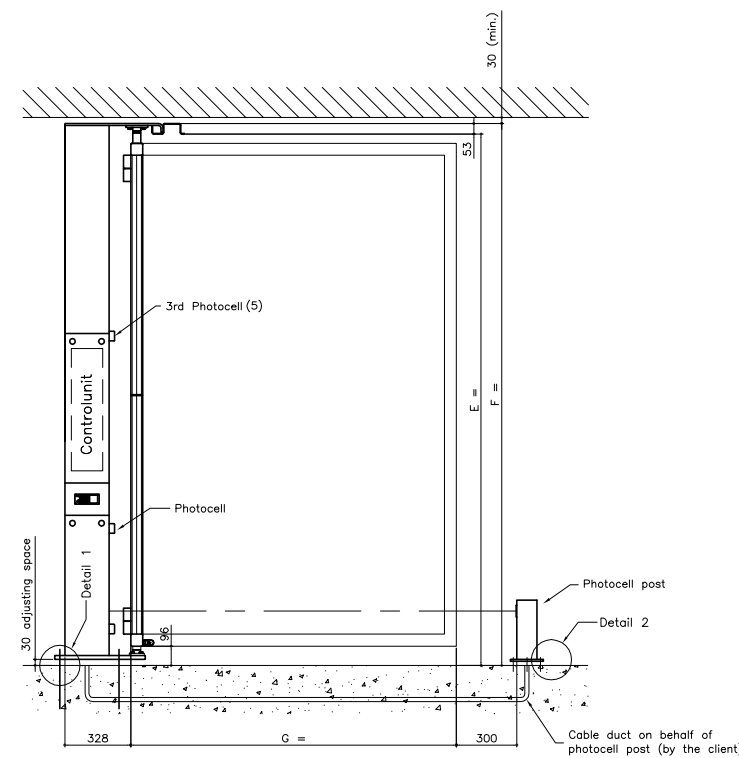
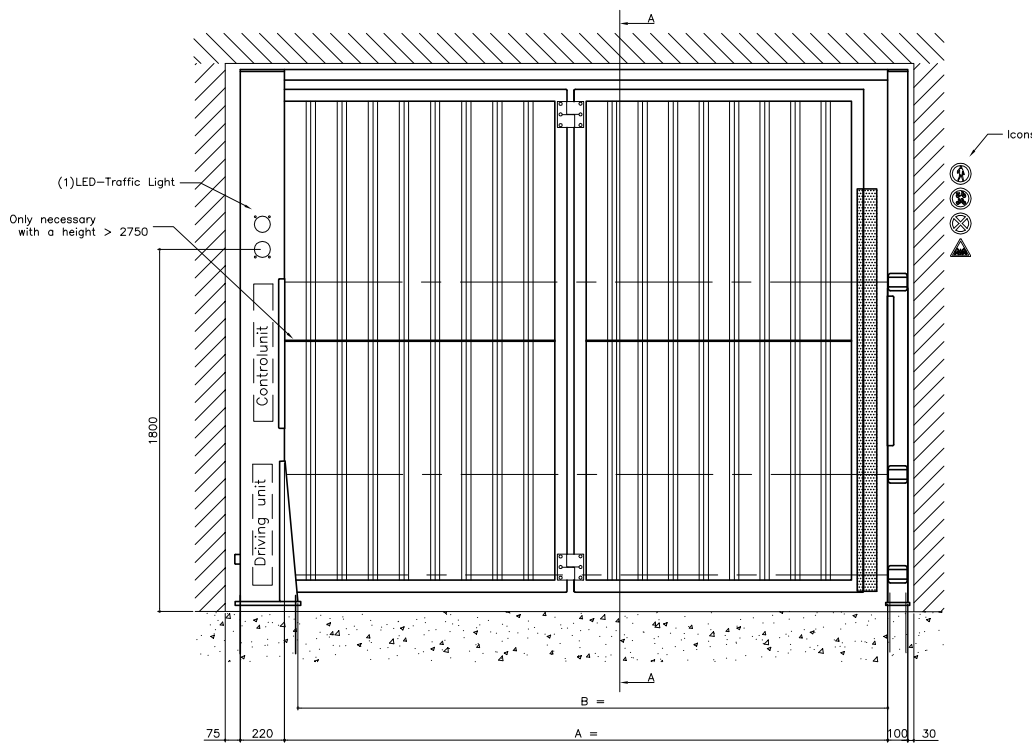
- Hot dip galvanized
- RAL _____
- 2 layers (Standard) (120 mu)
- 3 layers (180 mu)
- Other _____

Infill

- Bar 35x35 (45°)
- Other _____

Dimensions (mm)

A (Width between the columns, mirror height) 2500/6000	
B (Minimal width clearance) = A-67	
C (Maximum width clearance) = A-9	
D (Total width) = A+320	
E (Clearance height) 2000/4000	
F (Total height) = E+53	
G (Panel width) = A/4+120	



Front view

Section A-A

TECHNICAL CHANGES TO PRODUCT RESERVED



HTC parking & security B.V.
 PO Box 27, 2750 AA
 Moerkapelle The Netherlands
 T: +31(0)88 027 7088
 I: www.htc-ps.com
 E: info@htc-ps.com

Client:

Project:

Part: Xentry 2-TP

Location information:

.....

.....

Rev	Date:	By	Chkd
O			
A			
B			
C			
D			
E			
F			
G			

Dwg. nr.: S01

Scale:

By:

Ordernr.:

FOR APPROVAL

APPROVED NAME:

YES NO DATE:

SIGNATURE:

Comments:
 - Only main components are in the drawing
 - Cable ducting needs to be applied by client according to cable plan

Anchors Xentry 2 TP
 - Anchorload: ...
 - Anchor and drilling depth(L):M... L=.....mm

THIS DRAWING IS OWNED BY HTC PARKING & SECURITY B.V. AND MAY NOT BE REPRODUCED, COPIED IN WHOLE OR IN PART, OR GIVEN TO THIRD PARTIES FOR INSPECTION WITHOUT EXPRESS WRITTEN PERMISSION OF HTC PARKING & SECURITY B.V.