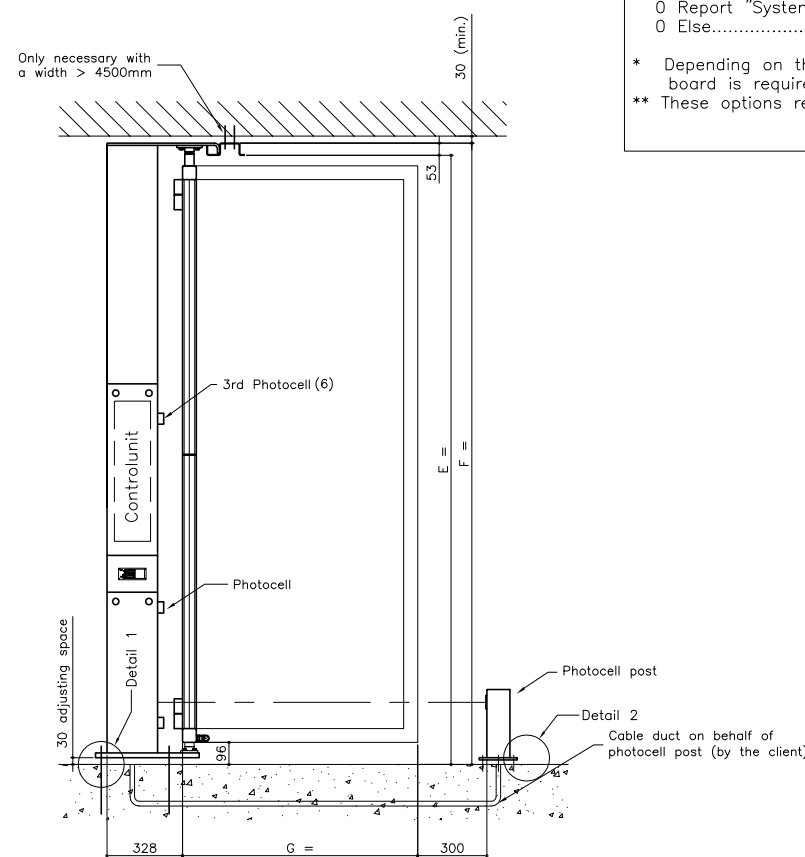
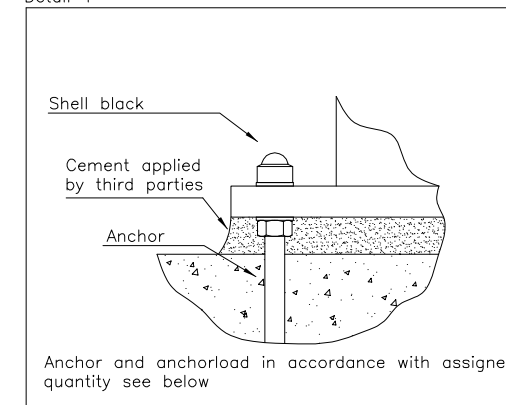


Front view



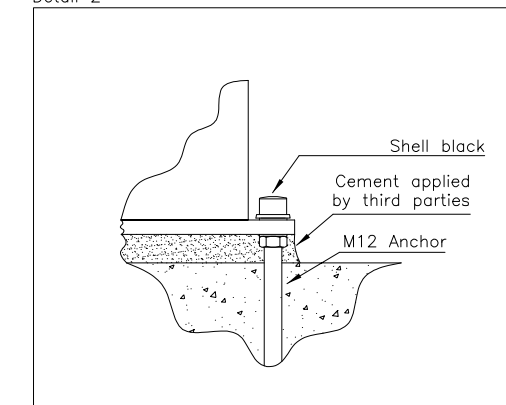
Section A-A

Detail 1



Anchor and anchorload in accordance with assigned quantity see below

Detail 2



Comments:

Options: \*

- Free ride out using detection loop
- Detection loop installed by:
  - Contractor
- Web Based Access
- Handheld transmitters
  - 1 Channel , amount:.....
  - 2 Channel , amount:.....
- Fire alarm (NC):
  - Gate open
  - Gate closed
- Hand/Auto switch
- Half open position
  - Acoustisch & optical signal
- Timer function
- Flashing traffic light during gate movement
- Trafficlight off in closed position

Reports: \*\*

- Report "Open"
- Report "Closed"
- Report "System failure"
- Else.....

- \* Depending on the number of options an extension board is required
- \*\* These options require a extension board

Options

LED Trafficlight(s) (1)

- None
- Left column Type?: Surface mounted/Build in
- Right column Type?: Surface mounted/Build in

Photocell pole (2&3) Required for safety when mate H < 500mm

- None
- Left (2) Foundation?: Yes/No
- Right (3) Foundation?: Yes/No

Safety loop (4&5)

- None
- Rectangular loop (4) Subsoil? : Concrete/Soil/Asphalt
- Trapezium loop (5) Subsoil? : Concrete/Soil/Asphalt

3rd Photocel (for trucks) (6)

- Yes
- No

Other

Trafficlight pole

- Yes Foundation?: Yes/No
- No Foundation?: Yes/No

Conservation

- Hot dip galvanized
- RAL \_\_\_\_\_
- 2 layers (Standard) (120 mu)
- 3 layers (180 mu)
- Other \_\_\_\_\_

Infill

- Bar 35x35 (45°)
- Other \_\_\_\_\_

Dimensions (mm)

A (Width between the columns, mirror height) 2500/6000	
B (Minimal width clearance) = A-134	
C (Maximum width clearance) = A-18	
D (Total width) = A+440	
E (Clearance height) 2000/4000	
F (Total height) = E+53	
G (Panel width) = A/4+145	

Comments:

- Only main components are in the drawing
- Cable ducting needs to be applied by client according to cable plan

Anchors Xentry 2 TP

- Anchorload: ...
- Anchor and drilling depth(L):M... L=.....mm

TECHNICAL CHANGES TO PRODUCT RESERVED



HTC parking & security B.V.  
 PO Box 27, 2750 AA  
 Moerkapelle The Netherlands  
 T: +31(0)88 027 7088  
 I: www.htc-ps.com  
 E: info@htc-ps.com

Client: .....

Project: .....

Part: Xentry 2-TP

Location information: .....

Rev	Date:	By	Chkd
0			
A			
B			
C			
D			
E			
F			
G			

Dwg. nr.: S01

Scale: .....

By: .....

Ordernr.: .....

FOR APPROVAL

APPROVED NAME: .....

YES NO DATE: .....

SIGNATURE: .....

Comments:

Anchors Xentry 2 TP

- Anchorload: ...

- Anchor and drilling depth(L):M... L=.....mm