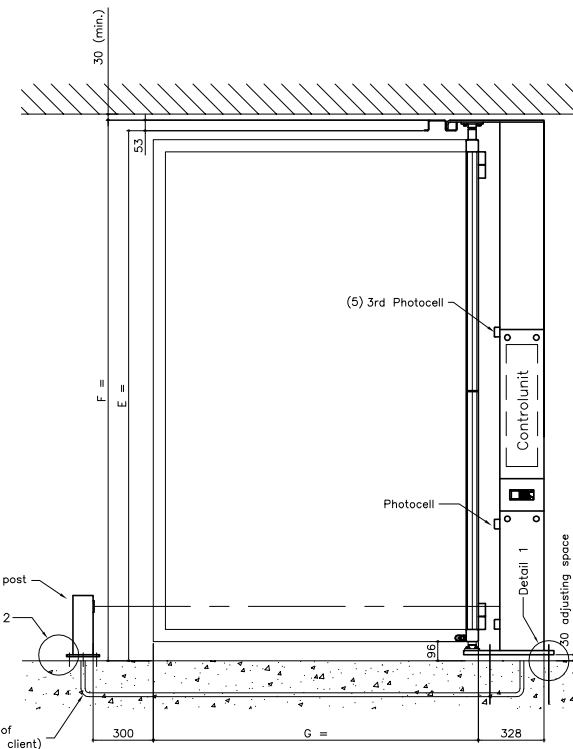
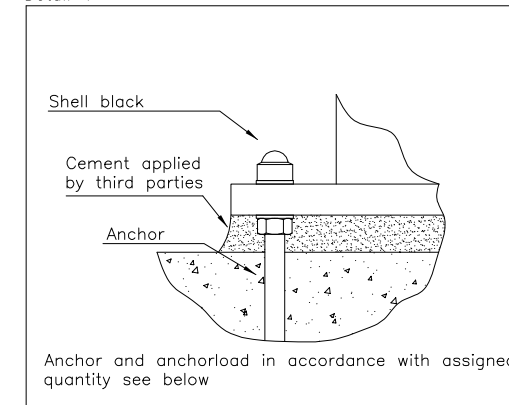


Front view

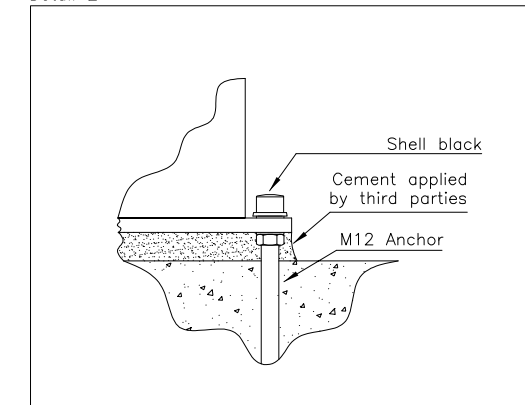


Section A-A

Detail 1



Detail 2



Comments:

- Options: *
- Free ride out using detection loop
 - Detection loop installed by:
 - Contractor
 - Web Based Access
 - Handheld transmitters
 - 1 Channel , amount:.....
 - 2 Channel , amount:.....
 - Fire alarm (NC):
 - Gate open
 - Gate closed
 - Hand/Auto switch
 - Half open position
 - Acoustisch & optical signal
 - Timer function
 - Flashing traffic light during gate movement
 - Trafficlight off in closed position

Reports: **

- Report "Open"
- Report "Closed"
- Report "System failure"
- Else.....

* Depending on the number of options an extension board is required
 ** These options require a extension board

Options

- LED Trafficlight(s) (1)
- None
 - Right column Type?: Surface mounted/Build in
- Photozell pole (2) Required for safety when mate H < 500mm
- None
 - Right (2)
- Safety loop (3&4)
- None
 - Rectangular loop (3) Subsoil? : Concrete/Soil/Asphalt
 - Trapezium loop (4) Subsoil? : Concrete/Soil/Asphalt
- 3rd Photocel (for trucks) (6)
- Yes
 - No

Other

- Trafficlight pole
- Yes Foundation?: Yes/No
 - No Foundation?: Yes/No

- Conservation
- Hot dip galvanized
 - RAL _____
 - 2 layers (Standard) (120 mu)
 - 3 layers (180 mu)
 - Other _____

- Infill
- Bar 35x35 (45°)
 - Other _____

Dimensions (mm)

A (Width between the columns, mirror height) 2500/6000	
B (Minimal width clearance) = A-67	
C (Maximum width clearance) = A-9	
D (Total width) = A+320	
E (Clearance height) 2000/4000	
F (Total height) = E+53	
G (Panel width) = A/4+120	

Comments:
 - Only main components are in the drawing
 - Cable ducting needs to be applied by client according to cable plan

Anchors Xentry 2 TP
 - Anchorload: ...
 - Anchor and drilling depth(L):M... L=.....mm

TECHNICAL CHANGES TO PRODUCT RESERVED



HTC parking & security B.V.
 PO Box 27, 2750 AA
 Moerkapelle The Netherlands
 T: +31(0)88 027 7088
 I : www.htc-ps.com
 E: info@htc-ps.com

Client:

Project:

Part: Xentry 2-TP

Location information:

Rev	Date:	By	Chkd
0			
A			
B			
C			
D			
E			
F			
G			

Dwg. nr.: S01

Scale:

By:

Ordernr.:

FOR APPROVAL

APPROVED

YES NO

SIGNATURE:

THIS DRAWING IS OWNED BY HTC PARKING & SECURITY B.V. AND MAY NOT BE REPRODUCED, COPIED IN WHOLE OR IN PART, OR GIVEN TO THIRD PARTIES FOR INSPECTION WITHOUT EXPRESS WRITTEN PERMISSION OF HTC PARKING & SECURITY B.V.